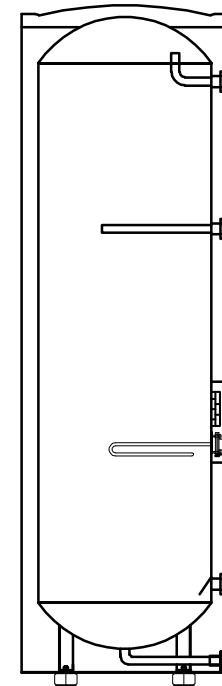
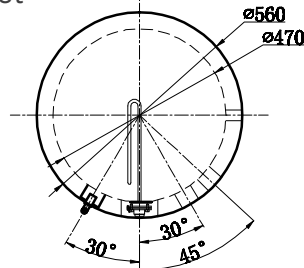
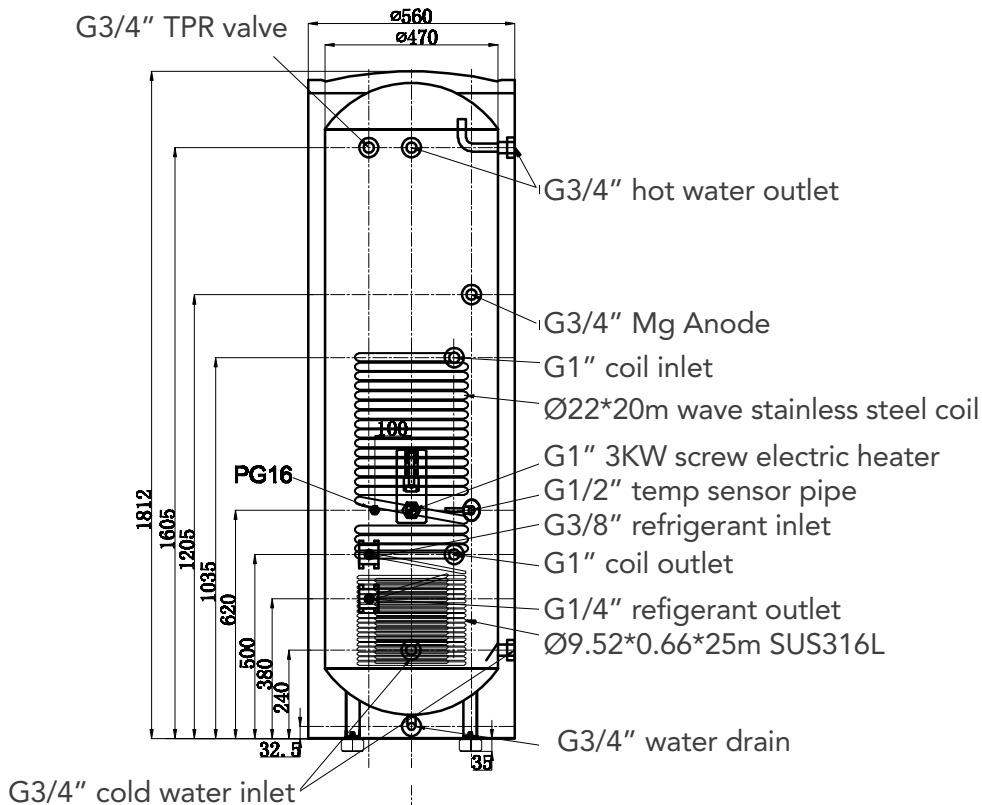
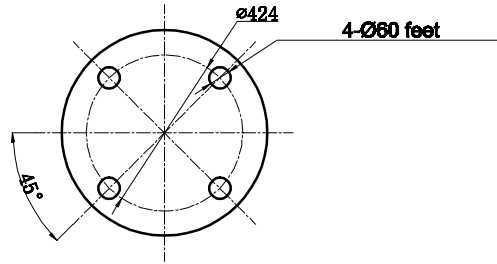


# 300L-560-1800-kp-50-wet back-right



## Technical remarks:

1. Diameter is Ø 560mm, height is 1800mm
2. All the connections are female
3. Hot and cold connections are inside piped to top and bottom
4. Inner tank material is Duplex 2205 SS = 1.0mm, Skin is 304 SS = 0.5mm
5. The insulation is 45mm polyurethane